

DH-IPC-HFW5200C-L

2Megapixel Full HD Network Water-proof IR-Bullet Camera



Features

- 1/3" 2Megapixel progressive scan Exmor CMOS
- H.264 & MJPEG dual-stream encoding
- 25/30fps@1080P(1920×1080)
- DWDR, Day/Night(ICR), Auto iris, 3DNR, AWB, AGC, BLC
- Multiple network monitoring: Web viewer, CMS(DSS/PSS) & DMSS
- 2.8~12mm varifocal lens
- Max. IR LEDs Length 30m
- IP66, PoE

DH-IPC-HFW5200C-L

Technical Specifications

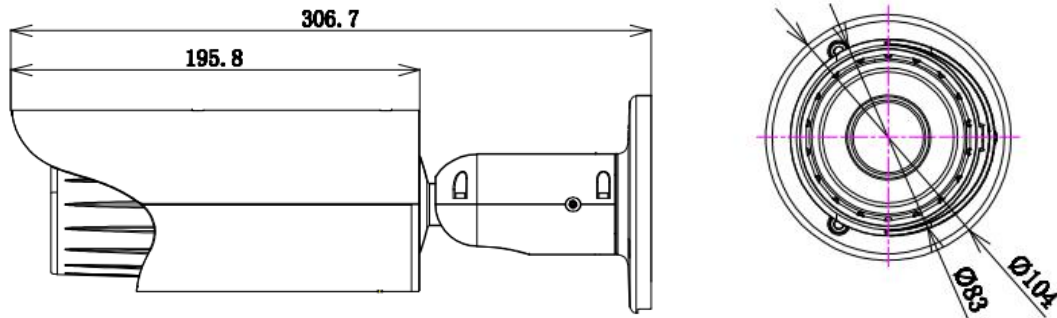
Model	DH-IPC-HFW5200C-L	
Camera		
Image Sensor	1/2.8" 2Megapixel progressive scan Exmor CMOS	
Effective Pixels	1920(H)x1080(V)	
Scanning System	Progressive	
Electronic Shutter Speed	Auto/Manual, 1/3(4)~1/10000s	
Min. Illumination	0.01Lux/F1.2 (Color)	
S/N Ratio	More than 50dB	
Video Output	N/A	
Camera Features		
Max. IR LEDs Length	30m	
Day/Night	Auto(ICR)/Color/B/W	
Backlight Compensation	BLC / HLC / DWDR	
White Balance	Auto/Manual	
Gain Control	Auto/Manual	
Noise Reduction	3D	
Privacy Masking	Up to 4 areas	
Lens		
Focal Length	2.8 ~12mm	
Max Aperture	F1.2	
Focus Control	Manual	
Angle of View	H: 100.3° ~32.6°	
Lens Type	Manual/Auto Iris(DC)	
Mount Type	Board-in Type	
Video		
Compression	H.264H/H.264/MJPEG	
Resolution	1080P(1920×1080)/720P(1280×720)/D1(704×576/704×480)/CIF(352×288/352×240)	
Frame Rate	Main Stream	1080P/720P(1 ~ 25/30fps)
	Sub Stream	D1/CIF(1 ~ 25/30fps)
Bit Rate	H.264H: 32K ~ 16Mkbps	
Audio		
Compression	N/A	
Interface	N/A	
Network		
Ethernet	RJ-45 (10/100Base-T)	
Wi-Fi	N/A	
Protocol	IPv4/IPv6, HTTP, HTTPS, SSL, TCP/IP, UDP, UPnP, ICMP, IGMP, SNMP, RTSP, RTP, SMTP, NTP, DHCP, DNS, PPPOE, DDNS, FTP, IP Filter, QoS, Bonjour,	
Compatibility	ONVIF PSIA CGI	
Max. User Access	20 users	

DH-IPC-HFW5200C-L

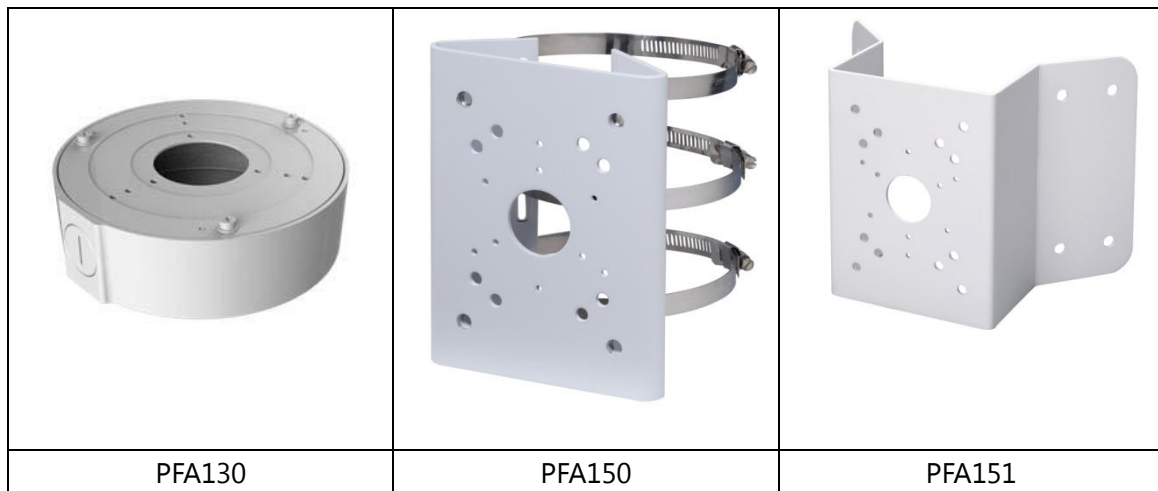
Smart Phone	iPhone, iPad, Android, Windows Phone
Auxiliary Interface	
Memory Slot	N/A
RS485	N/A
Alarm	N/A
PIR Sensor Range	N/A
General	
Power Supply	DC12V (AC 24V optional), PoE (802.3af)
Power Consumption	<7.5W
Working Environment	-30°C~+60°C , Less than 95% RH
Ingress Protection	IP66
Vandal Resistance	N/A
Dimensions	φ104mm×306.7mm
Weight	1.25kg

DH-IPC-HFW5200C-L

Dimensions (mm)



Accessory (optional)



Dahua Technology Co., Ltd.

1187BinAn Road, Binjiang District, Hangzhou, China

Tel: +86-571-87688883

Fax: +86-571-87688815

Email:overseas@dahuatech.com

www.dahuatech.com

*Design and specifications are subject to change without notice.

© 2013 Dahua Technology Co., Ltd.